



KEY GRIP SYSTEMS
Development

CAMERA SUPPORTS

Bazooka



Innovation & Versatility

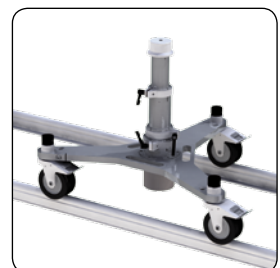
The combi-wheels including the option of lockable steering unquestionably provide many advantages in the use of the bazooka.

- > the option of using the bazooka on the ground or on a 24,5" track without changing wheels is a definite time-saver and offers real versatility (a KGS Development innovation).
- > the exclusive locking steering system means that it is now possible to repeat precisely straight and curved camera movements on the ground (a KGS Development innovation).

Practicality

A simple and robust base whose wheels can easily be removed to mount regular grips pipes as simple chocks. This advantage will be particularly appreciated in difficult situations (inside cars, on flatbed dollies, stairs, scaffolding etc.).

The base is equipped with a pneumatic column available in 3 versions (longs, small and micro) and other accessories allowing progressive «zéro gravity» camera heights from 20" to 60".





KEY GRIP SYSTEMS
Development

CAMERA SUPPORTS

Bazooka

Base



ref.
FBZ004

Columns



ref.
FBZ001 Micro
FBZ002 Small
FBZ003 Large

Wheels



ref.
FBZ005 Standard wheels
FBZ006 Track wheels

European coupling / base



ref.
FBZ008

Mitchell Fitting / base

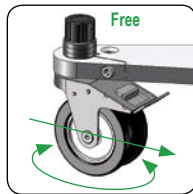
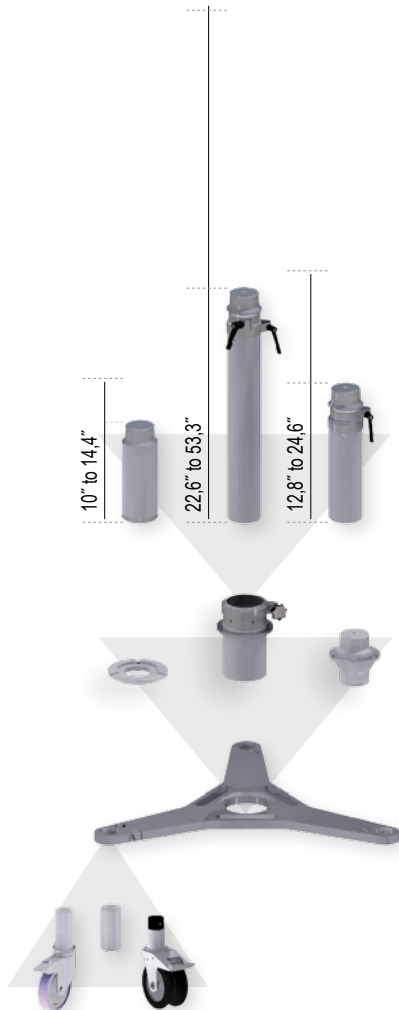


ref.
FBZ009

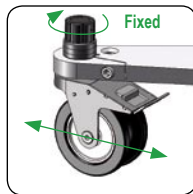
European coupling adapter



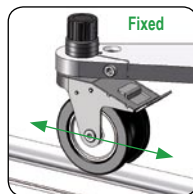
ref.
FBZ010



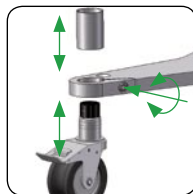
Free position : in the 'free' position the bazooka wheels allow the camera to be positioned with great flexibility. Once locked down stability is complete.



Fixed wheels position: In order to achieve simple tracking movement with the bazooka, the wheels can be fixed in a given direction.



On the tracks, the wheels are used in the 'fixed' position allowing very precise tracking movements. Additionally, the wheels can be completely locked.



The track wheel set can be removed and replace by different wheels or regular grip pipes