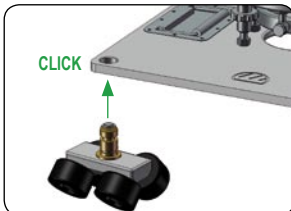
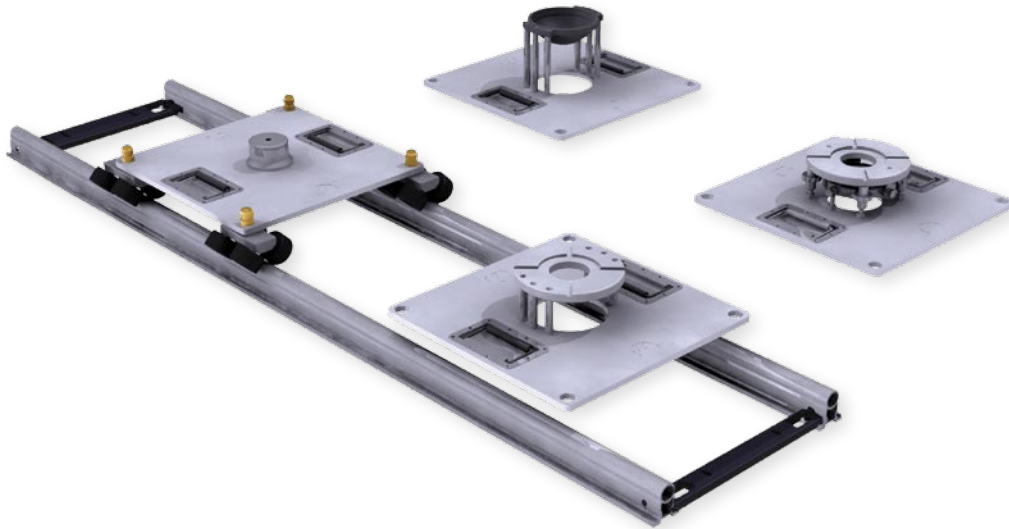




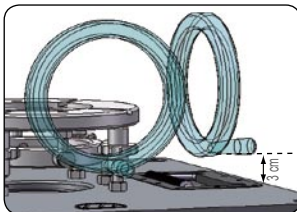
KEY GRIP SYSTEMS
Development

CAMERA SUPPORTS

Hi Hats



All hi hats can be used with our Y wheels (ref FCH010) and on our Monotrack with 16" width sleepers.



The Ultra-flat leveling Mitchell base still allows gear head operating.



KEY GRIP SYSTEMS
Development

CAMERA SUPPORTS

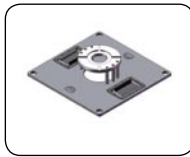
Hi Hats

Hi Hat Arri bowl 150



ref.
FBA001

Hi Hat Straight
Mitchell base



ref.
FBA002

Hi Hat leveling
Mitchell base



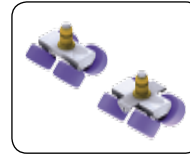
ref.
FBA003

Hi Hat
European Coupling



ref.
FBA004

Skate wheels



ref. Set of 2
FCH010 Normal
FCH011 Self adjustable