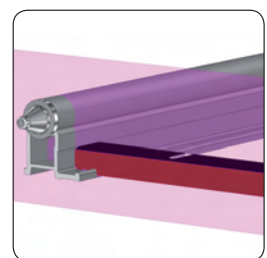




KEY GRIP SYSTEMS
Development

STRAIGHT TRACKS



Concept

The special feature of the **KGS Development** straight fixed track is the fact that the tracks are in direct contact with the ground. The sleepers are only used to determine the width between the tracks and these can be reduced to only two, ensuring both rigidity as well as lightness and precision.

Lightness, rigidity

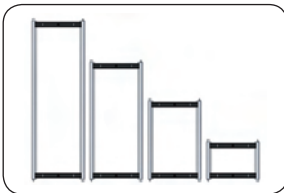
- > For improved lightness, the tracks and sleepers are made of different alloys.
- > For greater rigidity and accurate alignment, the tracks and sleepers are assembled together and are mechanically prestressed.



KEY GRIP SYSTEMS
Development

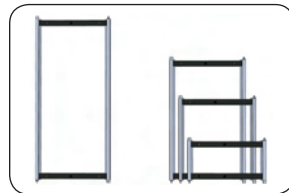
STRAIGHT TRACKS

620 (24 1/2")



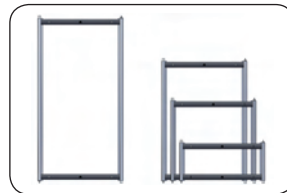
length
2'
3'
6'
8'

880 (34 39/64")



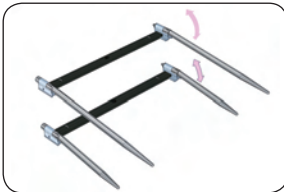
length
2'
3'
6'
8'

1000 (39 3/8")



length
2'
3'
6'
8'

Starter ramp

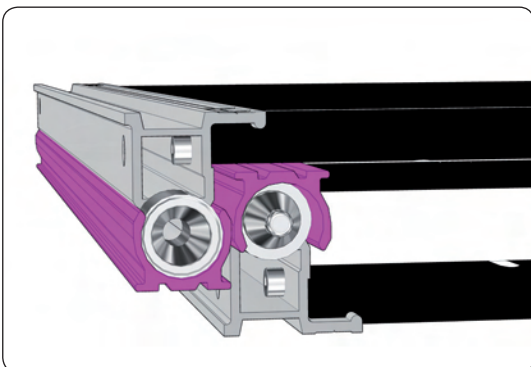


width
24 1/2"
34 39/64"
39 3/8"

Joiner



Protection plastic profile



The removable plastic profile ensures that the Tracks are protected.